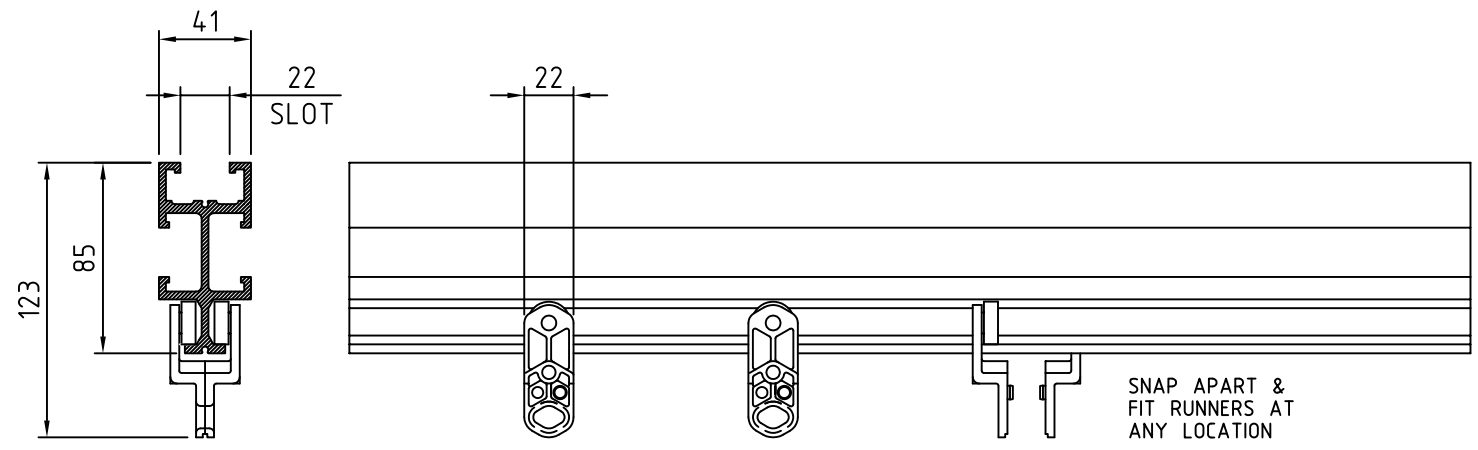
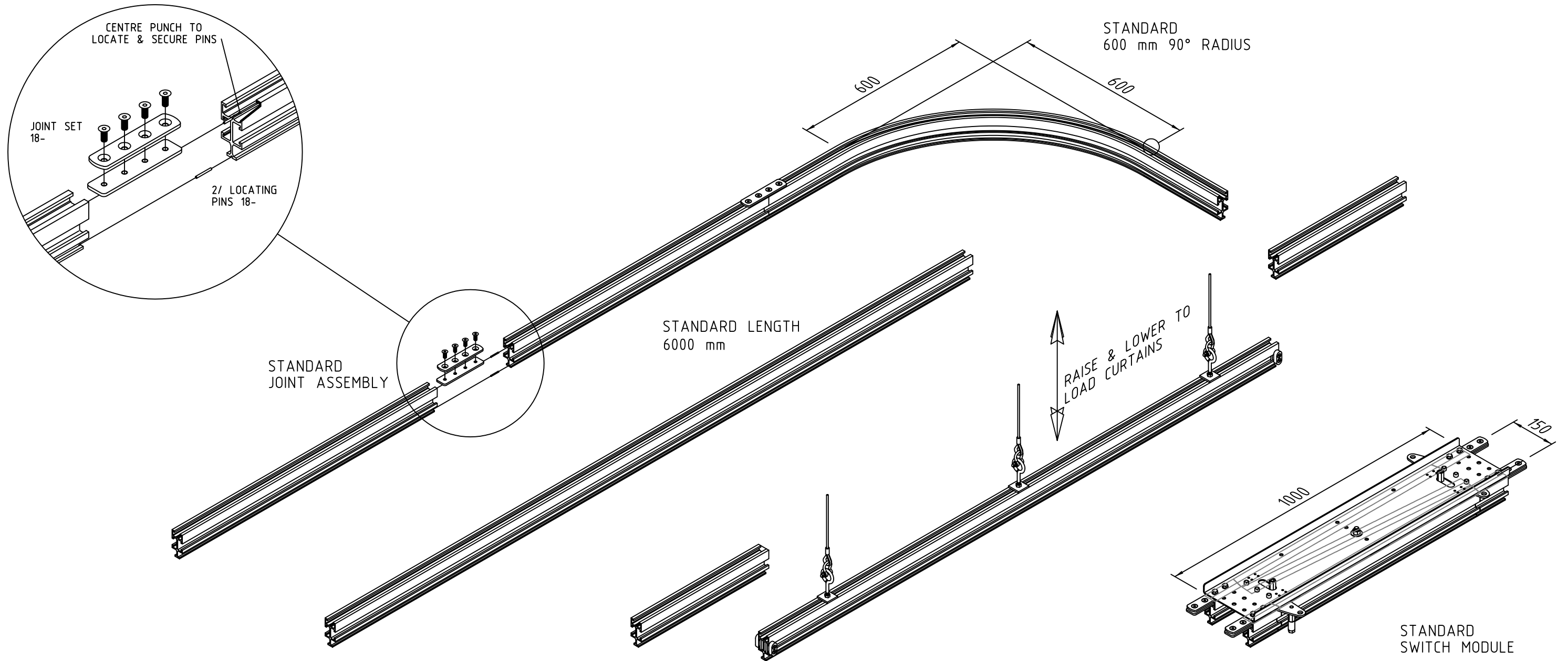


ITEM	QTY.	DESCRIPTION	WT. (kg)	PART/DWG. No.
------	------	-------------	----------	---------------



DRAWING
AMENDMENTS

THIS DRAWING IS THE PRIVATE PROPERTY OF S.T.E. AUSTRALIA PTY. LTD. UNDER NO CIRCUMSTANCES SHOULD IT SHOWN OR GIVEN TO ANY THIRD PARTY WITHOUT OUR WRITTEN CONSENT. ALL LEGAL RIGHTS RESERVED.

ste australia
pty ltd
S.T.E. Australia Pty Ltd
THEATREQUIP
com.au

PO Box 264 Annandale NSW 2038 Australia
28 Easter Street Leichhardt NSW 2040 Australia
Phone: + 61 2 9560 6419
Fax: + 61 2 9560 6429
E-mail: info@theatrequip.com.au

DRN.	MJR
DATE	DEC 05
SCALE	
CHK'D.	

DESC.	SERIES 18 TRACK 8541 PROFILE CYC ACCESSORIES - ISOMETRIC DETAILS
DRAWING NUMBER	18-101
REV.	